

Right Hemisphere[®] Deep Exploration[™] 5.5 Standard Edition

- Accelerate delivery of compelling 2D and 3D product graphics to improve sourcing, manufacturing, sales, and service product communications
- Raise productivity and expand pool of 2D and 3D content authors
- Leverage CAD assets that have been translated with DeepServer[™] or Deep Exploration[™] CAD Edition

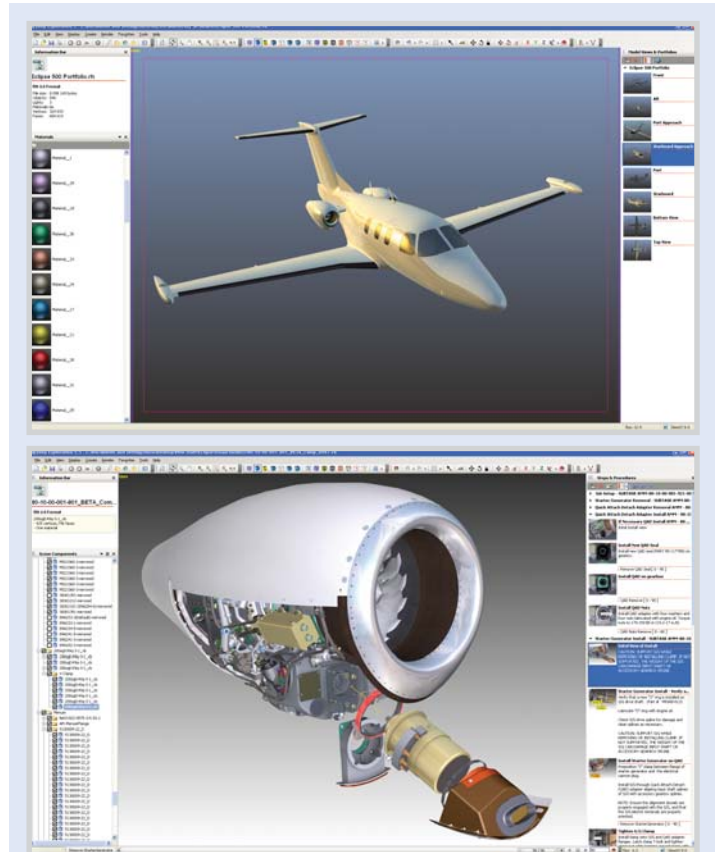
Overview

Deep Exploration Standard Edition enables your extended teams to easily create and deliver visual product communications and collaborate more effectively. Rapidly and easily transform, author, and publish 2D and 3D product graphics and documents on your desktop.

- ▶ Quickly transform more 70 different 2D and 3D file formats into accurate, lightweight 2D or 3D product graphics
- ▶ Easily author 2D and 3D product graphics into photorealistic images, animated scenes, or high quality line illustrations
- ▶ Automatically publish authored product graphics into more than 40 different 2D and 3D graphic formats and 3D interactive PDF documents, Microsoft Office applications or any other document format.

Significantly reduce costs and time to create 2D illustrations, 3D product graphics and deliver rich visual product communications for service and support, sales and marketing, 3D visual manufacturing, design collaboration and sourcing, training and technical publications.

Deep Exploration is available in two versions, Deep Exploration CAD Edition and Deep Exploration Standard Edition. The primary difference is Deep Exploration CAD Edition includes CAD translators and the Standard Edition does not. As a result, the CAD Edition also costs more per license than the Standard Edition. However, customers with Right Hemisphere's Deep Server[™] enterprise software already have this translation capability in their Deep Server solution and can enjoy purchasing the lower cost Deep Exploration Standard Edition client tools without paying for functionality they already have.



Unigraphics CAD files & images courtesy of Eclipse Aviation.

Leverage CAD assets that have been translated with DeepServer[™] or Deep Exploration CAD Edition to create photorealistic renderings, vector and raster images, real-time 3D visual manufacturing & maintenance procedures.

Translate 2D and 3D Graphics and Multimedia Files

Your creative staff already uses a wide variety of 2D and 3D Digital Content Creation tools. With these tools they have produced thousands of multimedia files in a variety of formats.

How can you reuse these assets when a new project comes along? Can you take assets created on one DCC tool and reuse them in another that is a better tool of choice for that particular project? Or will your creative staff just start all over from scratch?

Deep Exploration Standard Edition translates your 2D and 3D graphics and multimedia files so you can leverage them for additional business and entertainment uses.



Deep Exploration CAD Edition Transformation Capabilities

Translate DCC models accurately

- Import and translate over 70 2D/3D graphic formats
- Maintain DCC 3D hierarchy, materials, and attributes such as part identifiers, assembly structures, call outs
- Translate key frame animations, kinematics, and softbody animations across all major DCC file formats

Optimize 3D graphics

- Best in class, dynamic polygon reduction
- Remove hidden objects
- Remove small objects dynamically based on size
- Merge duplicate materials
- Remove unused materials
- Join equal points
- Minimize file size
- Object instancing for smaller file sizes, faster data transfer and increased real-time performance

Repair 3D graphics

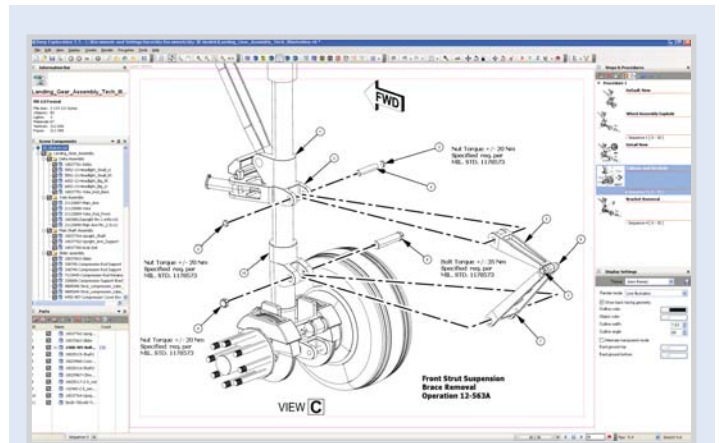
- Unify normals
- Invert faces and normals
- Heal polygonal meshes, join cracked models, and weld vertices while maintaining edge definition

Easily Author a Wide Range of 2D and 3D Product Graphics

Multimedia sourcing, sales, and service product communications require a wide variety of 2D and 3D product graphics including: line art for parts catalogs, high quality photoreal images for marketing brochures, 3D steps and product views for supplier assembly instructions, highly interactive 3D animations for IETM-style maintenance procedures, and many more.

How many different types of 2D and 3D product graphics do you produce and update today?

Deep Exploration Standard Edition can supply the full range of rich 2D and 3D product graphics needed by your customers, partners, and employees. Deep Exploration Standard Edition's powerful, yet easy to use, authoring tools expand your pool 2D and 3D content authors and significantly improve their productivity.



Produce a variety of technical illustrations, in a variety styles, supporting industry standard formats and specifications such as S1000D, including line illustrations with automated callouts.



Deep Exploration Standard Edition Authoring Capabilities

Author photoreal 3D images

- Apply real world materials from advanced materials palette
- Edit material attributes including diffuse, bump, opacity, reflection, and more
- Add UV maps
- Bake shadows to texture maps or vertex colors via Realight™ tools to simulate global illumination

Author 3D animations

- Create and edit advanced key frame 3D objects, position, rotation, material, texture UV and camera animations
- Add animation sequences and sequence tracks to independently control multiple animations
- Assign sequences to Steps to create assembly / disassembly procedures
- Edit animation key frame location and properties using timeline
- Automatically explode assemblies

Author real-time 3D visual manufacturing & maintenance procedures

- Communicate interactive assembly / disassembly and maintenance procedures
- Include step name, description, and one or more sequences for each step

Author Model Views & Portfolios

- Communicate via predefined views of graphics to ease viewing and navigation
- Associate current camera position, render mode, and 3D object visibility

Author high quality line art illustrations

- Support industry standard vector and raster file formats
- Control edge threshold, line weight, color and shading parameters
- Create illustration from predefined isometric, diametric, and trimetric views
- Render as Line Illustration, Solid Outline, Shaded Illustration, Transparent, Wireframe, and more
- Generate and manipulate callouts using advanced callout authoring techniques
- Display Bill of Materials
- Support orthographic and perspective camera projection
- Thrustline creation including animation
- Dynamic realtime Thick n Thin line rendering, color fill, and more
- 2D and 3D Symbol library that is S1000D compliant

View and markup graphics

- View graphics interactively including rotate, pan, and zoom
- Project Drawings & Notes directly onto 3D objects surfaces
- Create Detail Views to highlight specific areas of interest
- View cross sections, cutting plane, half and quarter sections - box section cutting
- Markup, measure, and add various types of annotations

Publish Finished Product Graphics and Documents

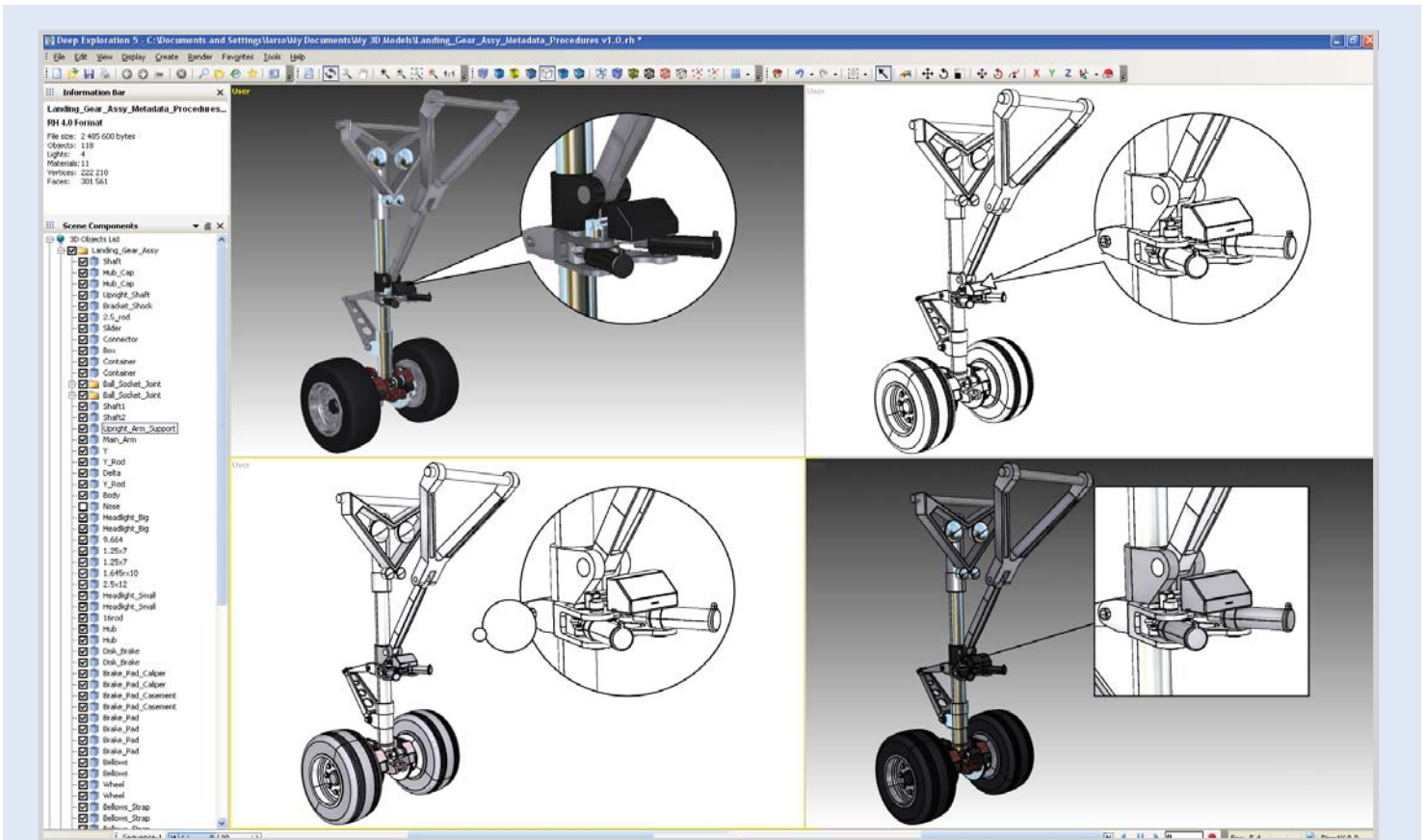
Product graphics are used across your customers, suppliers, and employees to effectively communicate ideas and transact business. Effective communication with these individuals, including a generation of computer game users, requires rich multimedia content and a multimedia publishing approach.

How do you publish your product graphics today? Do you embed them in Microsoft Office or Adobe PDF documents? Do you use them as source content in your DCC authored 3D scenes? Do you display them on the Web? Or are you missing this opportunity entirely?

By exporting over 40 leading 2D and 3D graphics publishing formats, Deep Exploration Standard Edition accelerates delivery of compelling 2D and 3D product graphics so you can improve your sourcing, sales, and service product communication.

Deep Exploration Standard Edition Publishing Capabilities

- Export to over 40 industry standard 2D and 3D graphics formats
- Publish and view 2D and animated 3D graphic content within Microsoft Office and Adobe Framemaker documents
- Publish and view 2D and animated 3D graphic content within HTML pages
- Publish interactive 3D PDF documents with included PDF Publishing Module



Independent Viewport and Detail View rendering controls allow you to easily compare technical illustration rendering styles before publishing the final 2D or 3D graphic.

Augment High-Volume, 2D and 3D Parts to Publishing Graphics Processes

Automating business processes is a proven strategy to accelerate time to market, improve quality and cut costs. Yet typical 2D and 3D graphics publishing processes are characterized by manual steps, points of automation, and limited integration. The result is too few graphics and too much cost.

What if you could blend powerful server-based transformation and authoring, with powerful desktop tools that let your creative professionals be more creative?

Right Hemisphere's Deep Exploration Standard Edition works together with Deep Server to optimize your part to publication processes for 2D and 3D product graphics. You can automatically prepare graphics with Deep Server and then touch them up with Deep Exploration Standard Edition.

Deep Exploration Standard Edition Graphics Process Augmentation Capabilities

- Use Deep Exploration Standard or CAD Edition to perform final touch-ups on graphics automatically generated by Deep Server
- Upload 3D graphics authored in Deep Exploration Standard Edition into Deep Server via Deep Access to automatically generate additional predefined 2D and 3D product graphics
- Use Deep Access to manage 2D and 3D graphics authored in Deep Exploration Standard or CAD Edition

The Deep Exploration Standard Edition Difference

Integrate with Deep Server to Optimize High Volume, 2D and 3D Parts to Publishing Graphics Processes

Unlike today's time and labor intensive manual processes that rely on people and point authoring tools alone, Deep Exploration Standard Edition and Deep Server combine to automate and optimize the 2D and 3D product graphics processes that deliver a range of intermediate graphics, finished graphics, and even finished PDF documents all from accurate, up-to-date engineering data you already own.

Deep Exploration System Requirements

Minimum

- Windows 2000 SP4 operating system
- Pentium 4 1Ghz processor or higher
- 512MB of RAM (more for large model and texture sizes)
- Microsoft DirectX, version 8
- Internet Explorer 6.0
- Graphics card capable of displaying 24-bit color
- 3D hardware accelerator video card

Recommended

- Windows XP SP3 operating system
- Pentium 4, 2Ghz processor or higher
- 3GB of RAM (more for large model and texture sizes)
- Microsoft DirectX, version 9
- 3D hardware accelerator video card with 128MB of RAM

Additional

- To create custom PDF Templates using the included PDF Template Designer requires one of the following version of Adobe® Acrobat®: Acrobat 8.1+ Pro, Acrobat 3D v8.1+, Acrobat 9 Pro or Acrobat 9 Pro Extended
- An Internet connection is required for 3D Web searches and Cortex updates
- To view and save 3ds max files, a copy of 3ds max must be installed
- To view and save Maya files, a copy of Maya must be installed
- To view Inventor 2008 files, Autodesk Inventor 2008 Viewer must be installed
- To view 3D content in a HTML Document with 3D (.html) files, Deep View must be installed
- The .rh file type must be added to the Microsoft Windows Server 2003 "recognize file type" set

Right Hemisphere

Right Hemisphere is the leading provider of enterprise product communication and collaboration solutions enabling manufacturers to optimize their global product development, launch, and support processes. Organizations have invested in operational processes and IT systems to improve product lifecycle efficiencies, yet delivery of precise and up-to-date product information to the extended enterprise in a timely, efficient and usable form is difficult today. Right Hemisphere maximizes knowledge transfer efficiency of product information to downstream stakeholders by automatically publishing product information readily available in CAD, PLM, and ERP systems into common document formats and business applications

Over 500 innovative manufacturers, including five of the top six automotive OEMs and nine of the top 10 U.S. aerospace and defense contractors rely on Right Hemisphere to dramatically accelerate time to market, increase product and services revenues, and lower product communications costs.

Learn more about Right Hemisphere at www.righthemisphere.com



3825 Hopyard Road , Suite 150 , Pleasanton, CA 94588
www.righthemisphere.com sales@righthemisphere.com
 phone: 925-460-8133