

Right Hemisphere® Deep View™ 5.5

- Extend the use of 2D and 3D product data across the enterprise
- Publish 2D and 3D graphics into industry standard desktop applications
- Increase revenue via graphically rich and differentiated presentations and documents
- Improve the quality of internal and external communications and collaboration processes
- Eliminate the need for engineering help when 2D and 3D graphics are required

Deep View™ Overview

Deep View 5.5 is a FREE standalone 2D and 3D graphics viewing application that enables the extended enterprise to easily communicate, collaborate and visualize dynamic product data. Deep View can also embed this product data directly into industry standard desktop document formats including Microsoft™ PowerPoint™, Word™, Excel™, or one click publish to Adobe PDF.

With Deep View you can:

- ▶ Publish 2D and 3D graphics in Microsoft Office and Adobe Acrobat
- ▶ View and interact with 2D and 3D graphics within Deep View, Microsoft Office, or on the Web
- ▶ Easily share 2D and 3D graphics

Designed for non-engineering professionals, Deep View leverages industry standard desktop applications and eliminates the need for engineering involvement whenever complex 2D and 3D product graphics are needed.



Free Deep View 5.5 - 3D in Microsoft Office!

- Extend the use of 2D and 3D product data across the enterprise
- Publish 3D graphics into industry standard desktop applications
- Improve quality of internal and external communication and collaboration

Unigraphics CAD files and images courtesy of Eclipse Aviation

Easily publish and share 2D and 3D graphics in Microsoft's PowerPoint application

Deep View Capabilities

Publish 2D and 3D graphics in Microsoft Office and Adobe Acrobat

- Use industry standard desktop document formats including Microsoft™ PowerPoint™, Word™, Excel™ and Adobe PDF
- Import leading formats including: .3ds, .lwo, .lws, .dxf, .obj, .rh, 3dm, .wrl, .u3d, Sketchup, FBX directly into the document
- One click publish to Adobe PDF

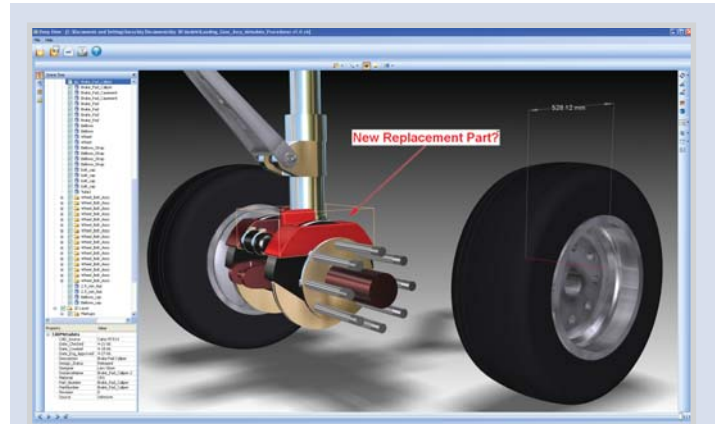
View and interact with 2D and 3D graphics within Deep View, Microsoft Office, or on the Web

- Pull apart objects directly in the 3D scene
- Measure angles as well as many kinds of distance measurements including arc centers, surfaces, edges and more.
- Add Markups and Notes for effective collaboration
- Display Model Views & Portfolios and Part & Assembly metadata
- View cross Sections
- Change Render modes
- Zoom, pan and rotate
- Display parts lists associated with 3D scene
- Browse parts via built-in metadata browser
- Playback Steps, Procedures and 3D animations



Easily share 2D and 3D graphics

- Share published MS Office 3D content with Deep View Minimum standalone installer
- Support for Microsoft Vista OS and Office 2007
- Print directly from Deep View standalone desktop application
- Send emails with attached .RH files directly from within Deep View Standalone



Add markups, notes and measurements for effective internal and external collaboration and sourcing.

Deep View System Requirements

Minimum

- Windows 2000 SP4 operating system.
- Office for Windows 2002.
- Pentium III 266 processor or higher.
- 128MB of RAM (more for large model and texture sizes).
- Graphics card capable of displaying 24-bit color.
- 3D hardware accelerator video card.
- Microsoft DirectX, version 8

Recommended

- Windows XP SP2 operating system.
- Office for Windows XP or Office 2003.
- Pentium III 733 processor or higher.
- 256MB of RAM (more for large model and texture sizes).
- 3D hardware accelerator video card with 128MB of RAM.
- Adobe Acrobat 7.0 Professional or later for 3D PDF
- Publishing from Office

Additional

- Real Time Shaders
- Microsoft DirectX, version 9.
- Pixel and vertex shader support on graphics card.
- Deep Exploration version 3 Real Time shader

Right Hemisphere

Right Hemisphere is the leading provider of enterprise product communication and collaboration solutions enabling manufacturers to optimize their global product development, launch, and support processes. Organizations have invested in operational processes and IT systems to improve product lifecycle efficiencies, yet delivery of precise and up-to-date product information to the extended enterprise in a timely, efficient and usable form is difficult today. Right Hemisphere maximizes knowledge transfer efficiency of product information to downstream stakeholders by automatically publishing product information readily available in CAD, PLM, and ERP systems into common document formats and business applications

Over 500 innovative manufacturers, including five of the top six automotive OEMs and nine of the top 10 U.S. aerospace and defense contractors rely on Right Hemisphere to dramatically accelerate time to market, increase product and services revenues, and lower product communications costs.

Learn more about Right Hemisphere at www.righthemisphere.com



3825 Hopyard Road , Suite 150 , Pleasanton, CA 94588
www.righthemisphere.com sales@righthemisphere.com
 phone: 925-460-8133